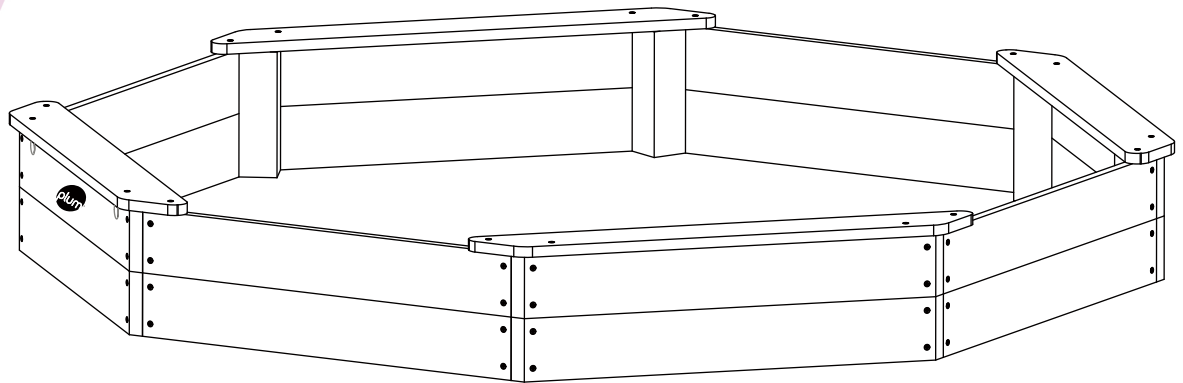




# assembly instructions

## plum® giant wooden sand pit

assembly requires 1 adult  
(approx. 45 minutes assembly time)



The mark of  
responsible forestry

**Minimum user age 18 mths +. Maximum user weight 50kg. Adult assembly required. Adult supervision recommended at all times. Only for Domestic use. Outdoor use only.**

## Advisory Section

To ensure the safety of you, the installer and your children, it is important that these instructions are read fully before commencing the positioning and installation of this product.

### Keep your sandpit safe for the children

1. Always cover the sandpit when not in use, to prevent unwanted animals from playing in the sand.
2. The sandpit cover is not a toy and is not intended for use by children. Always remove the cover before allowing children to play with the sandpit
3. Before covering your sandpit, place a large object in the centre of the sand to prop up the cover. This will allow water to drain off the cover, and prevent any rain water from "pooling" in the centre of the sand pit. This must be checked regularly.
4. Should any water still accumulate and form a pool, please ensure that this water is removed. Standing water can pose a danger to children.
5. Regularly check sand for impurities and any other sharp objects that may cause harm to children, including at the beginning of the season.
6. Use washed play sand suitable for use in children's sand pits.
7. Regularly change the sand to ensure that there is no build up of mould and to ensure that the play area is hygienic.
8. In windy and adverse weather conditions place the product in a safe area. In these conditions the product may become a hazard.
9. The sandpit should be placed on a level surface at least 2m from any structure or obstruction such as a fence, garage, house, over hanging branches, laundry lines or electrical wires.
10. The sandpit should not be installed over concrete, asphalt or any other hard surface.

## Timber Advice

This product has been made from premium timber. Great care has been taken in selecting, treating and machining the timber before it is presented to you. Timber is a natural product and as such may experience changes throughout the course of its life. This means it may:

- Develop openings (gaps, slits, apertures, cracks, splits) along the line of the grain. These openings are due to the difference in moisture content between the internal and outer surfaces of the timber. This is to be expected, is totally acceptable and will not affect the integral strength, life or guarantee of the product.
- Warp and distort its shape. Any distortion will be slight and will not affect the safety or enjoyment of this product.
- Fade as the timber reacts with sunlight. The timber should be treated with a proprietary product to act as a protective barrier, i.e. a water repellent, on an annual basis.
- After first year of service treat product with a good quality treatment safe for children's use.

Warning! Adult assembly required. Choking hazard. Contains small parts prior to assembly

## Routine Maintenance

It is advised that on a regular basis (i.e. at the beginning of the season and monthly thereafter) all main parts/fixings are checked as secure, well oiled (if metallic), have no sharp points/edges and are intact. Replace, oil and/or tighten when necessary. Failure to do so may result in an injury or hazard. Replace defective parts immediately, for further information contact customer services.

Remember to keep these instructions in a safe place for future reference

For warranty information please refer to our website.

Plum Products Ltd,  
The Cliff, Middle Street  
Ingham, Lincolnshire, LN1 2YQ, UK  
Tel: +44 (0) 344 880 5302,  
Fax: +44 (0) 152 273 0379  
customerservices@plumproducts.com  
www.plumproducts.com  
Copyright Plum Products 2013

Plum Products Australia Pty Ltd,  
303/154-158 Military Road,  
Neutral Bay,  
NSW 2088,  
Australia  
Tel: 02-99605500  
Helpline: 1800 900 161  
Email: aushelpdesk@plumproducts.com

## **WARNINGS**

Minimum user age 18 mths +  
Adult assembly required  
Adult supervision recommended at all times  
Maximum user weight 50Kg  
Only for Domestic use  
Outdoor use only  
keep instructions for future reference

## **AVERTISSEMENT !**

Age minimum de l'utilisateur 18 mois +  
Assemblage par un adulte nécessaire  
Ne jamais laisser un enfant jouer sans surveillance  
Poids maximum de l'utilisateur 50Kg  
Usage domestique uniquement  
Destiné à l'usage externe uniquement  
N'oubliez pas de garder ces instructions dans un lieu sûr pour référence ultérieure.

## **ACHTUNG!**

Das Mindestalter für Benutzer beträgt 18 Monate +  
Montage muss durch einen Erwachsenen erfolgen  
Sollte nur unter unmittelbarer Aufsicht von Erwachsenen benutzt werden  
Höchstgewicht des Benutzers 50Kg  
Nur für den Hausgebrauch  
Nur zur Nutzung im Freien geeignet  
Denken Sie daran, dass Sie diese Anleitung für eine spätere Nutzung sicher aufbewahren

## **ATTENZIONE!**

Età minima dell'utente anni.  
È necessario l'assemblaggio di un adulto.  
Si raccomanda sempre la supervisione di un adulto.  
Peso massimo dell'utente 50Kg  
Solo per uso domestico.  
Solo per uso esterno.  
Ricordarsi di conservare le presenti istruzioni in un luogo sicuro per consultazione futura.

## **WAARSCHUWING!**

Minimum leeftijd van gebruiker: jaar  
Montage door een volwassene vereist  
Toezicht van een volwassene te allen tijde aanbevolen  
Maximum gewicht van gebruiker 50Kg  
Alleen voor gebruik binnenshuis  
Alleen voor gebruik buiten  
Bewaar deze instructies op een veilige plaats zodat u ze later kunt raadplegen.

## **AVERTENCIA**

Edad mínima del usuario 18 meses  
El montaje de este juguete debe llevarlo a cabo un adulto.  
Se recomienda en todo momento la supervisión de un adulto.  
Peso máximo del usuario: 50Kg  
Utilícese exclusivamente en el ámbito doméstico.  
Utilícese exclusivamente al aire libre.  
Recuerde conservar estas instrucciones en un lugar seguro para poderlas consultar en el futuro.

## **VAROVÁNÍ!**

Minimální věk uživatele je let  
Vyžaduje se montáž dospělou osobou  
Doporučuje se po celou dobu dozor dospělé osoby  
Maximální hmotnost uživatele  
Pouze pro domácí použití  
Pouze pro venkovní použití  
Nezapomeňte si uschovat tyto pokyny na bezpečném místě pro potřeby budoucích odkazů

## UPOZORNENIE

Minimálny vek používateľa je 18 mesiac  
Vyžaduje sa montáž dospelou osobou  
Dozor dospeléj osoby sa odporúča po celú dobu  
Maximálna hmotnosť používateľa 50Kg  
Iba pre domáce použitie  
Iba pre vonkajšie použitie  
Nezabudnite si uschovať tieto pokyny na bezpečnom mieste pre budúce použitie

تحذير!

الحد الأدنى لعمر شهر 18  
يتطلب لتجميع أجزاء الجهاز شخص بالغ  
مدخستسما نزول مصقأل دحل 50KG  
ينصح بضرورة وجود إشراف دائم من كبار السن عند استخدام الجهاز.  
للاستخدام الداخلي فقط  
للاستخدام في الهواء الطلق فقط  
احرص على تذكر ضرورة الاحتفاظ بهذه التعليمات في مكان آمن للرجوع إليها مستقبلاً

## OSTRZEŻENIE!

Minimalny wiek użytkownika: 18 miesięcy  
Wymaga montażu przez osobę dorosłą  
Zalecany jest stały nadzór osoby dorosłej  
Maksymalna waga użytkownika 50KG  
Tylko do użytku domowego  
Tylko do stosowania na dworze  
Pamiętaj, żeby niniejsze instrukcje zachować w bezpiecznym miejscu na przyszłość

## ADVARSEL!

Minimum bruger alder 18 måneder  
Skal samles af en voksen  
Bør altid anvendes under opsyn af en voksen  
Maksimum brugervægt 50Kg  
Kun til hjemmebrug  
Kun til udendørs brug  
Husk at gemme disse vejledninger på et sikkert sted for fremtidig brug.

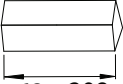
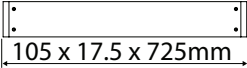
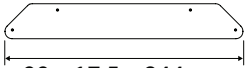
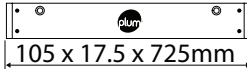
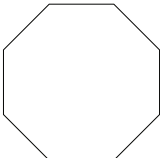
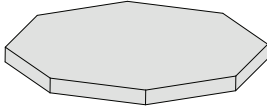
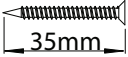
## UYARI!

Minimum kullanıcı yaşı 18 ay  
Bir yetişkin tarafından monte edilmesi gerekir  
Her zaman yetişkin gözetimi önerilir  
Maksimum kullanıcı ağırlığı 50Kg  
Yalnızca ev kullanımı için  
Yalnızca dış mekan kullanımı  
İleride bakabilmek için bu açıklamaları güvenli bir yerde saklamayı unutmayın

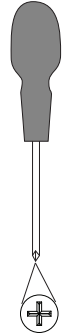
## FIGYELMEZTETÉS!

Minimális felhasználó kora 18 hónapok  
Felnőtt összeszerelése szükséges  
Minden alkalommal egy felnőtt felügyelete mellett ajánlott  
Max. terhelhetőség 50Kg  
Csak otthoni használatra  
Kültéri használatra  
Ne feledje, hogy ezeket az utasításokat biztonságos helyen tartsa későbbi használat esetére

# PARTS LIST

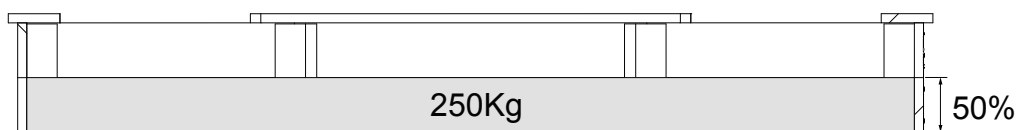
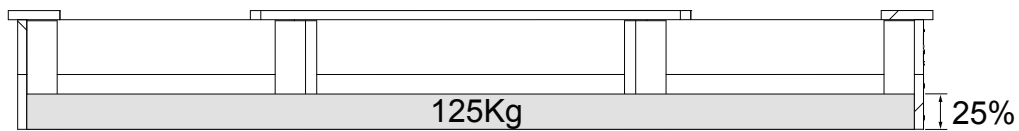
PART ID	DIMENSIONS WITH GRAPHIC	QUANTITY
D1071	 62 x 62 x 208mm	8
D1563	 105 x 17.5 x 725mm	15
D1564	 99 x 17.5 x 844mm	4
D1567	 105 x 17.5 x 725mm	1
D1566		1
D1565		1
M4x35MM	 35mm	80

**TOOLS  
REQUIRED:  
NOT INCLUDED**

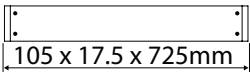
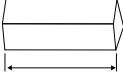
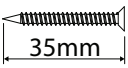


**POZI  
(PZ2)**

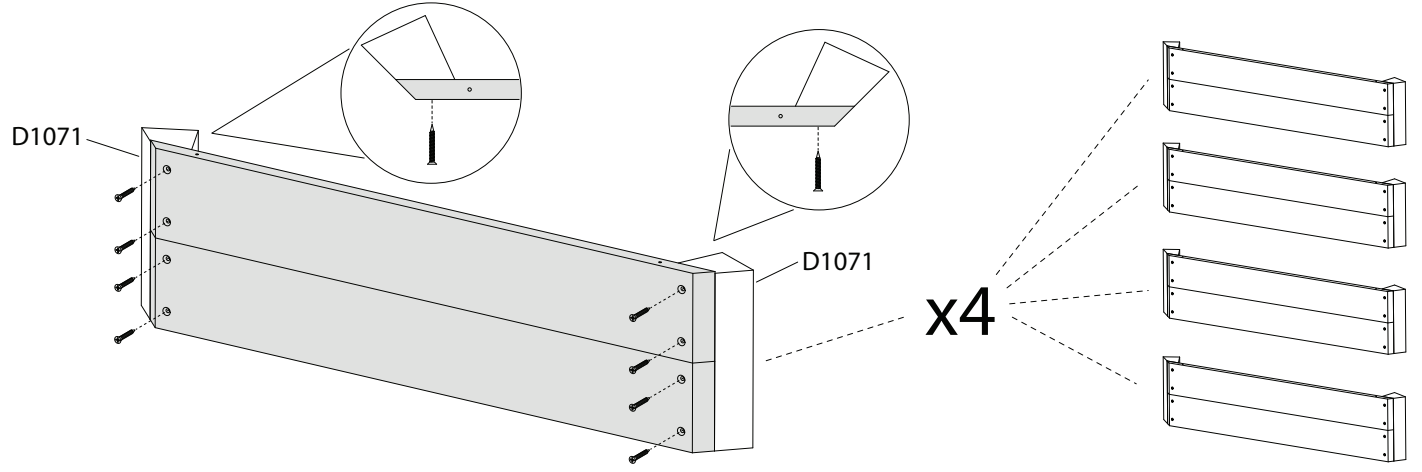
Sand not included:



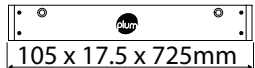
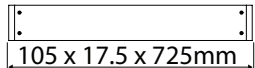
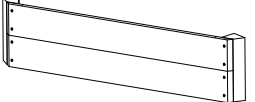
1

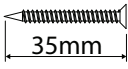
D1563  x8 | D1071  x8 | M4x35mm  x32

105 x 17.5 x 725mm | 62 x 62 x 208mm | 35mm

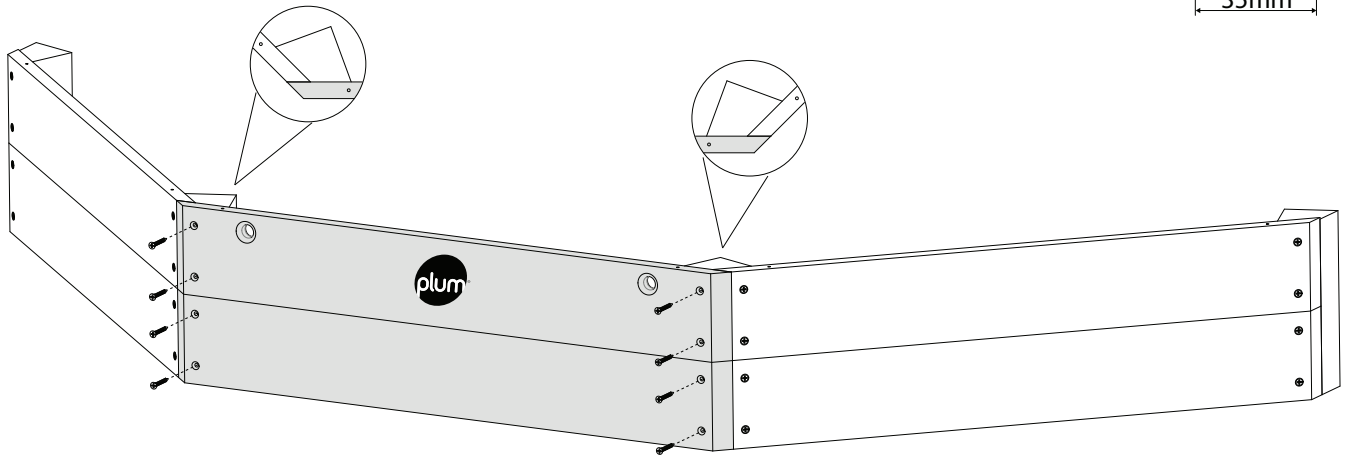


2

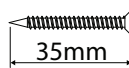
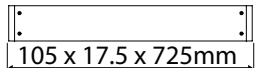

D1567  x1 | D1563  x1 |  x1

105 x 17.5 x 725mm | 105 x 17.5 x 725mm | M4x35mm  x8

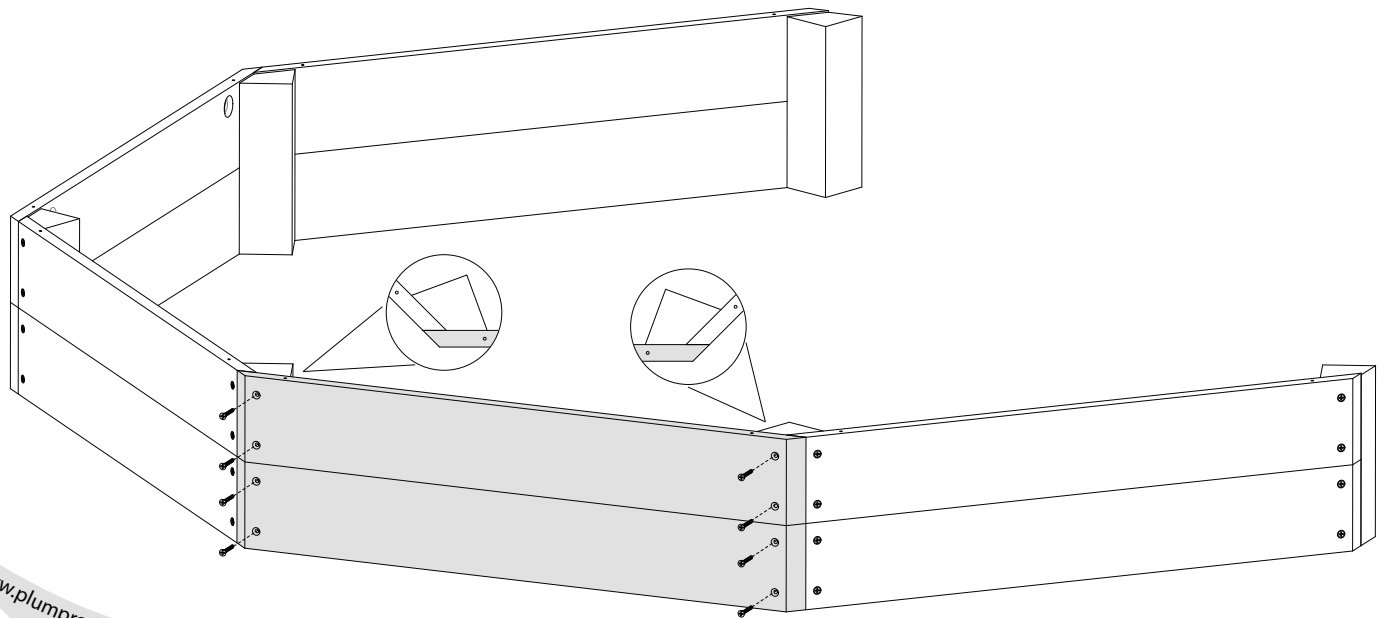
35mm



3

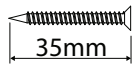
M4x35mm  x8 | D1563  x2 |  x1

35mm | 105 x 17.5 x 725mm



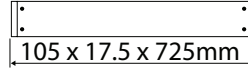
4

M4x35mm

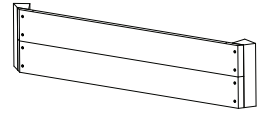


x8

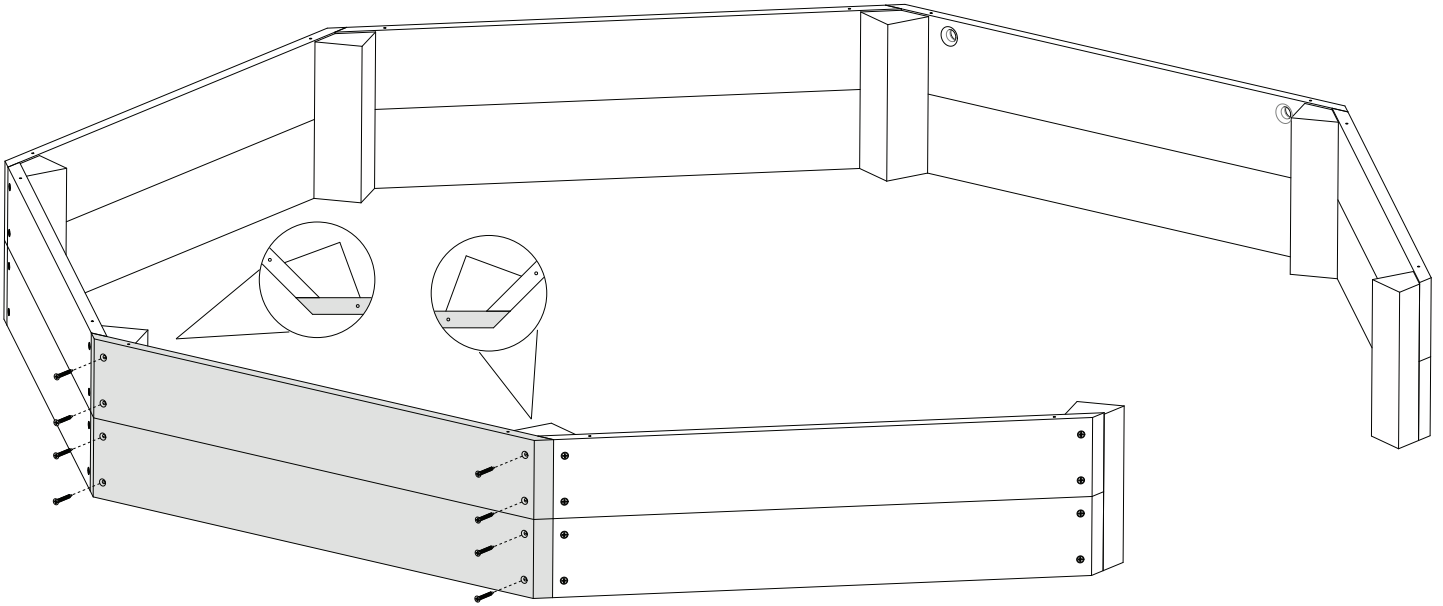
D1563



x2

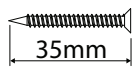


x1



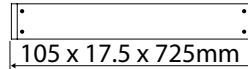
5

M4x35mm

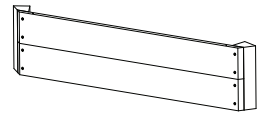


x8

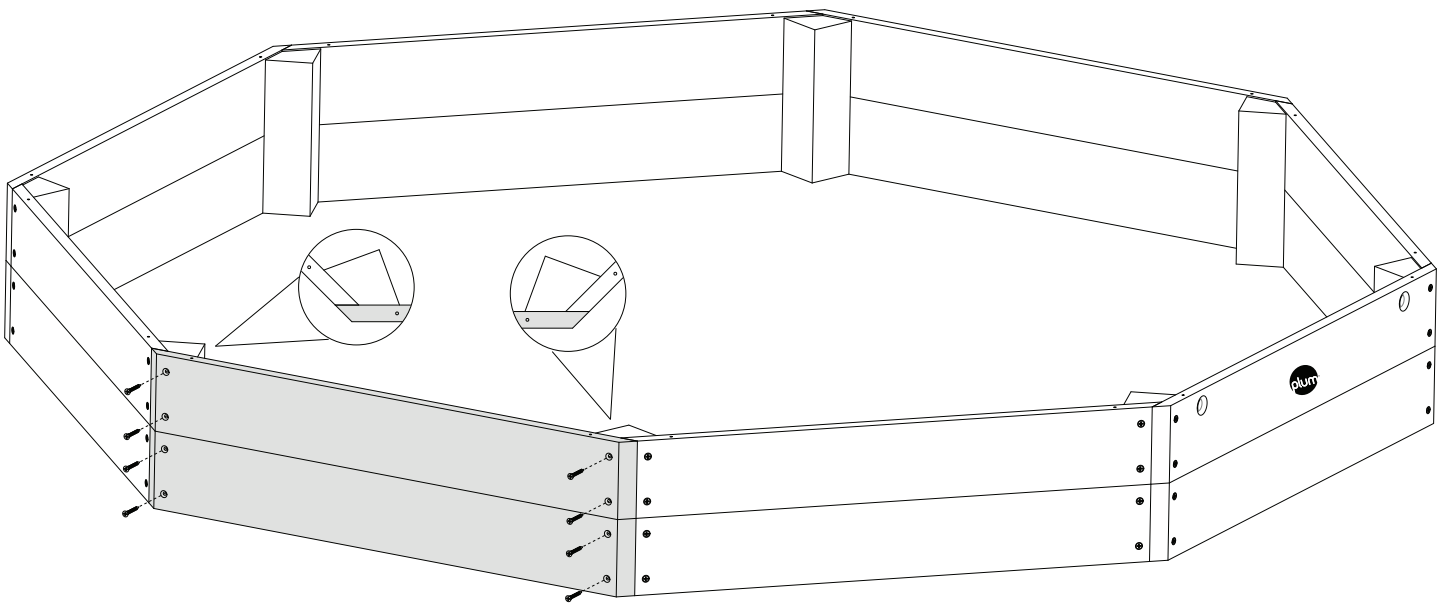
D1563



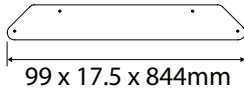
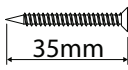
x2

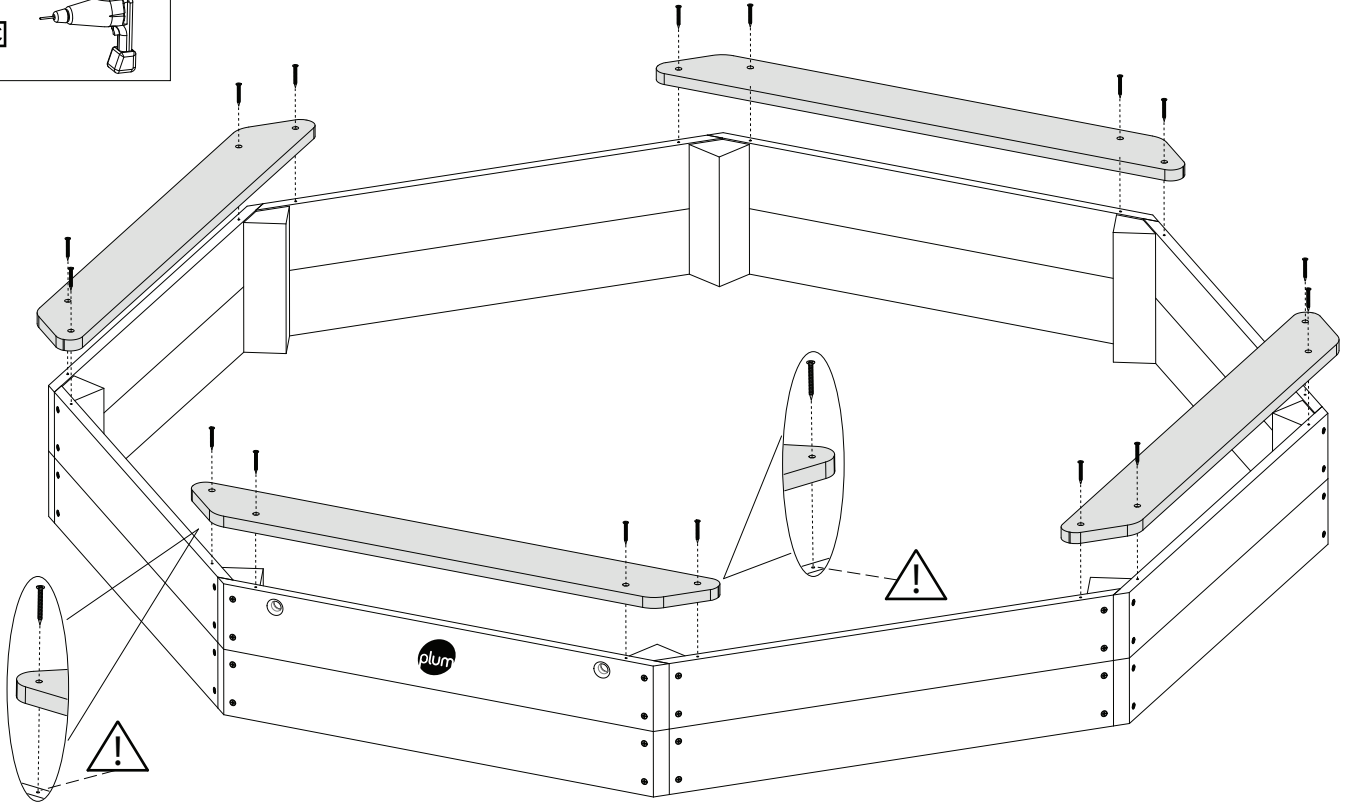
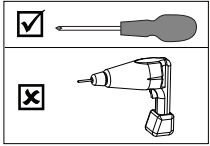


x1

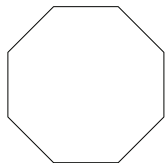


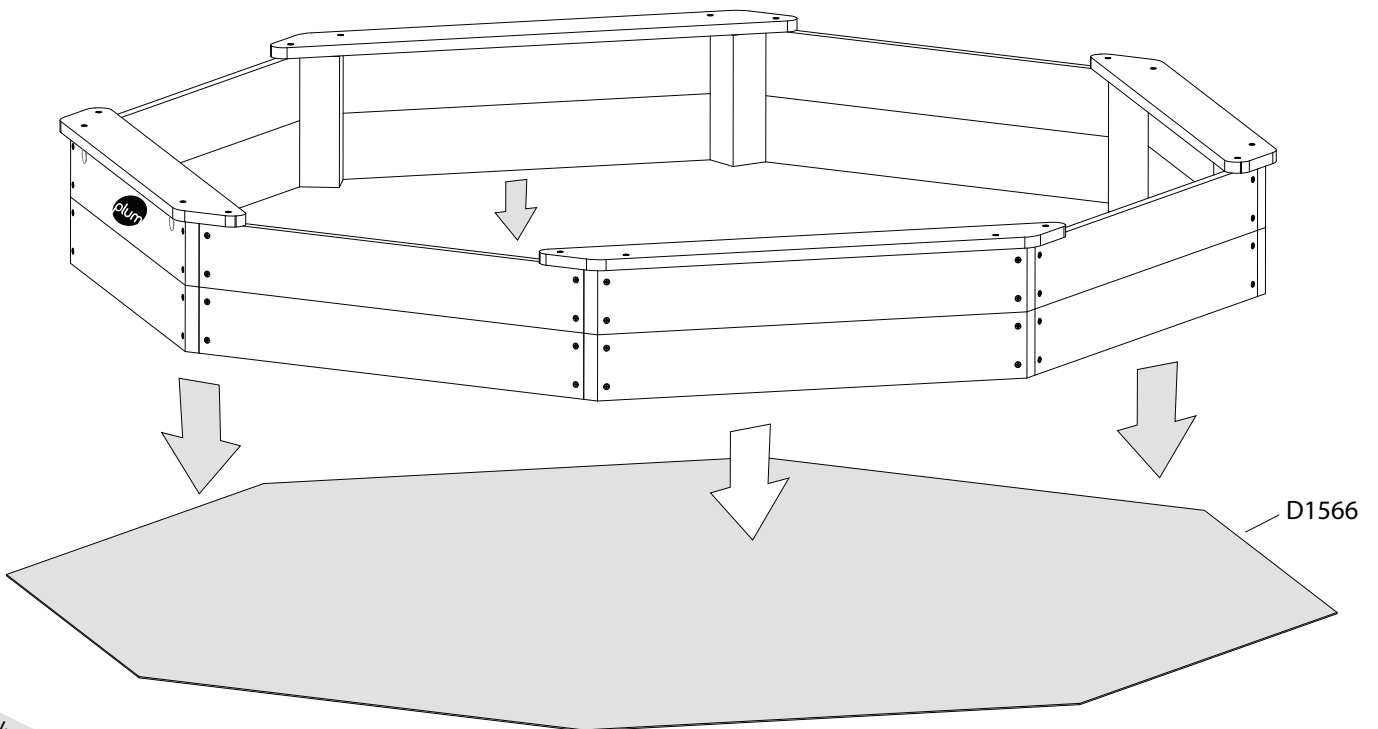
6

D1564  x4 | M4x35mm  x16

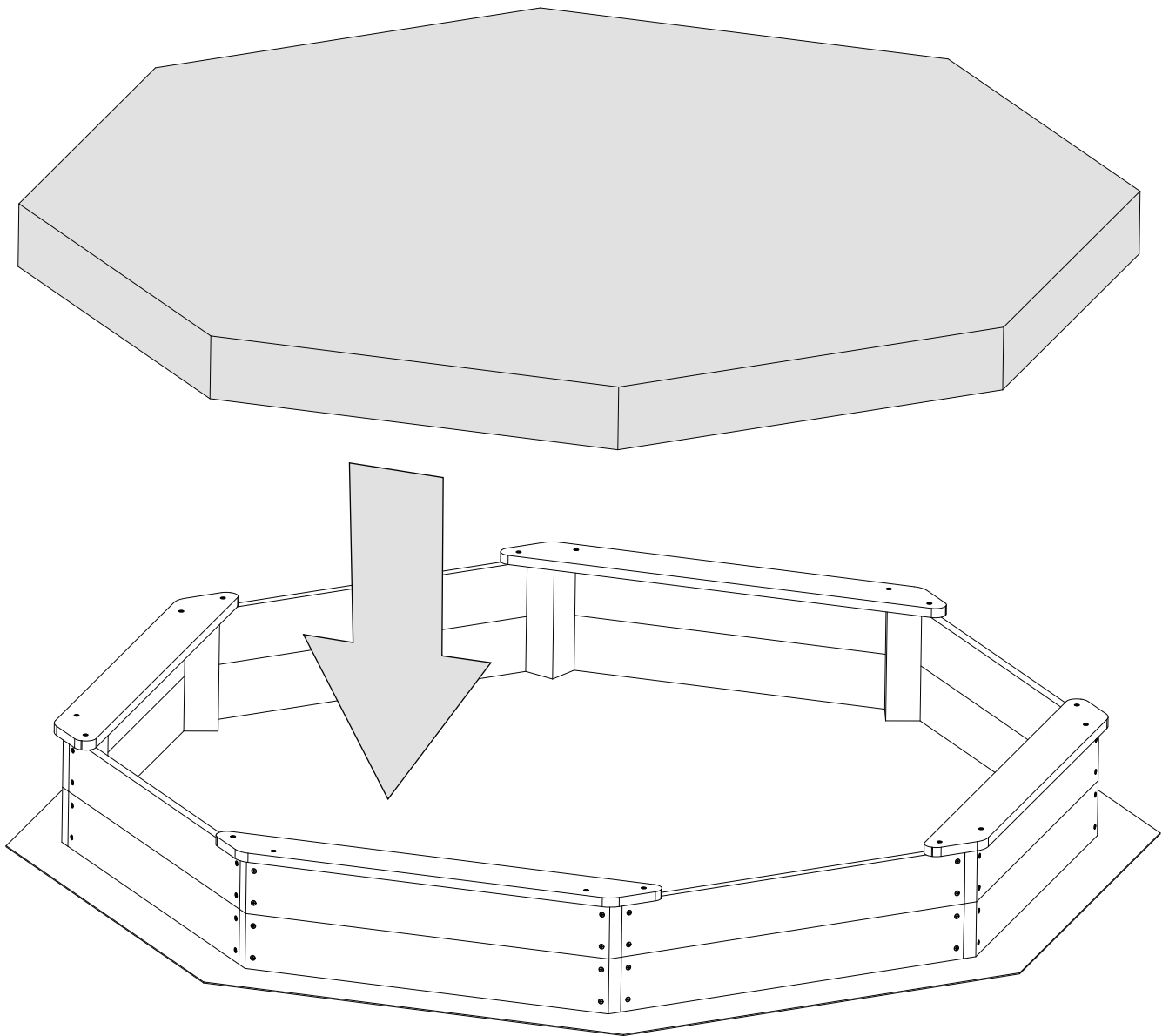
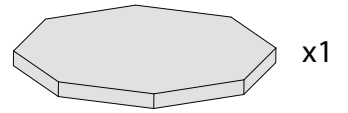


7

D1566  x1







Thank you for purchasing a Plum Product. Product safety and customer satisfaction are our priorities and we value your opinion. If you could spare two minutes to complete the customer feedback survey at <http://www.plumproducts.com/feedback> we would appreciate it.

