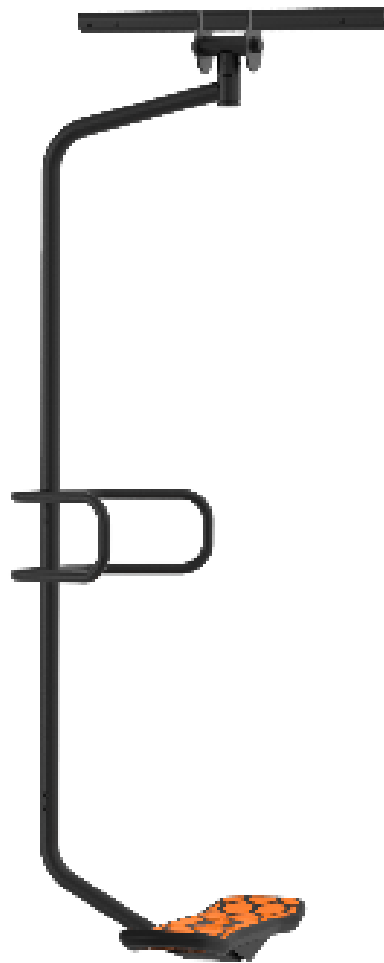




Spin Swing



MANUAL

Visit [VulyPlay.com/Installation](https://www.vulyplay.com/installation)
for video instructions

ATTENTION!

Safety information, installation and use instructions.

Read prior to installing and using the swings.

See [VulyPlay.com/support](https://www.vulyplay.com/support) for any updates to these instructions.



ADULT SUPERVISION IS REQUIRED AT ALL TIMES WHILST EQUIPMENT IS IN USE.
VULY CARES ABOUT SAFETY.

WARNING!

- Minimum user age – 6 years. Only for domestic and outdoor use.
- Maximum user weight per swing station – 80 kg (175 lb) [65 kg (132 lb) on Spin Swing].
- Maximum combined user weight per swing set section – 150 kg (330 lb).
- Adult assembly required. Adult supervision required at all times.
- Ensure that the Swing Set is secured with anchors or bolts before use.

Vuly Play

95 Ingleston Rd, Brisbane QLD 4154

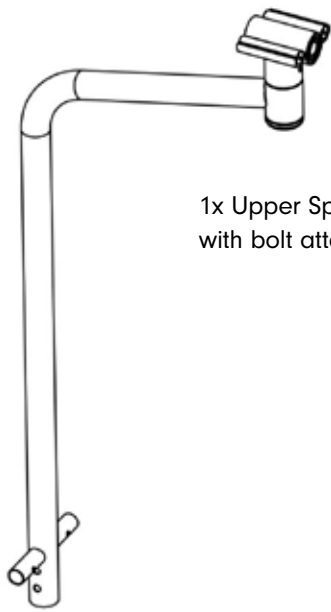
AU: 1300 667 514

US: 1-800-467-1421

www.vulyplay.com

Parts checklist

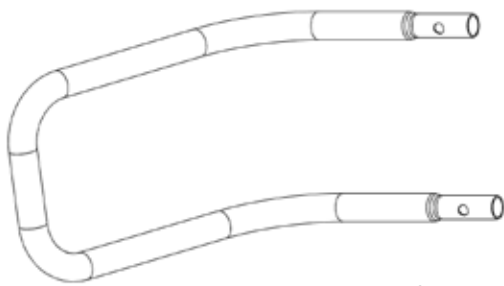
Spin Swing



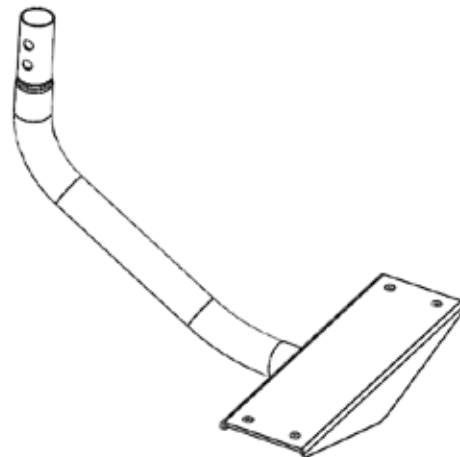
1x Upper Spin Pole,
with bolt attached



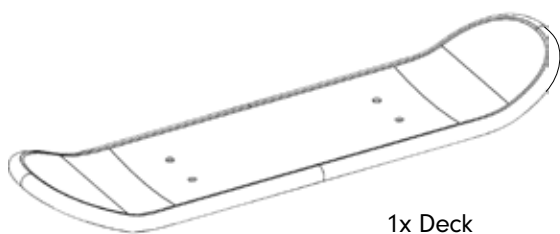
1x Lower Spin Pole



2x Spin Handles



1x Deck Plate



1x Deck



4x Deck nut and
bolts pairs



4x Spin Pole nut
and bolt pairs

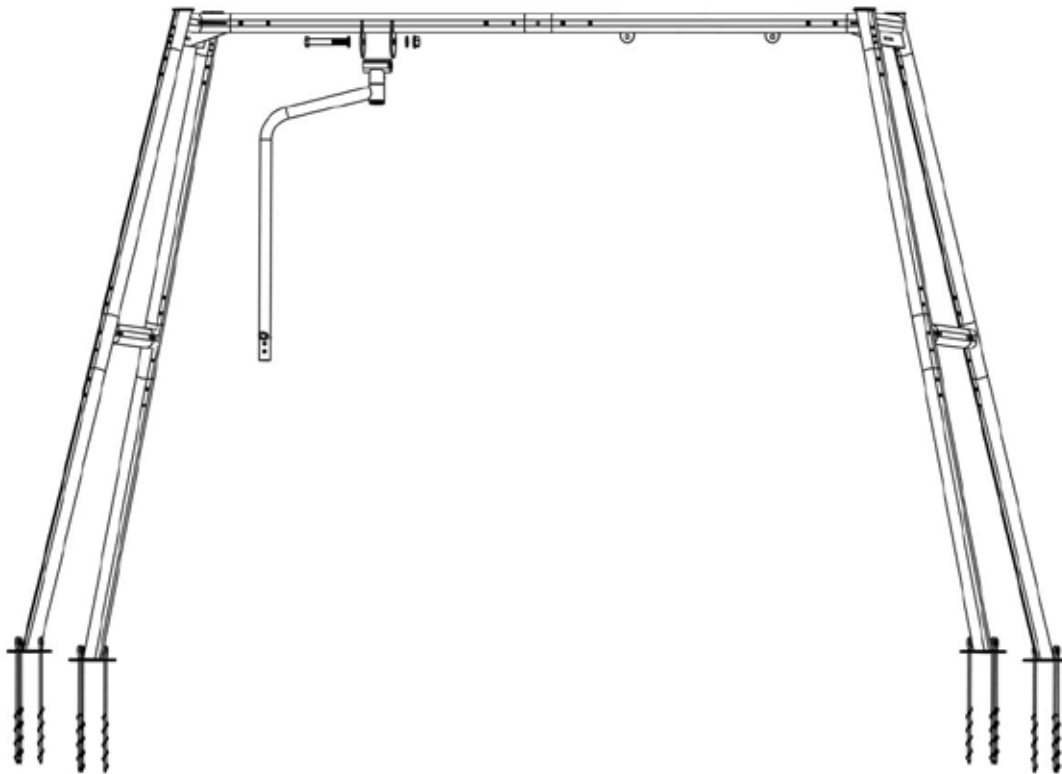
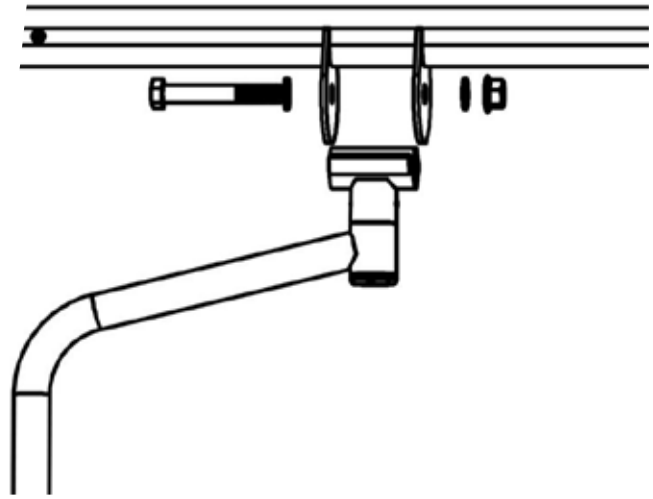
STEP | 1

Replace a Swing Rail on your assembled 360 Pro with the included Spin Rail, if you did not do so during assembly.

STEP | 2

Remove the nut, bolt and washers included with the Upper Spin Pole, and position the barrel-end of the Upper Spin Pole in the slot on the Spin Rail.

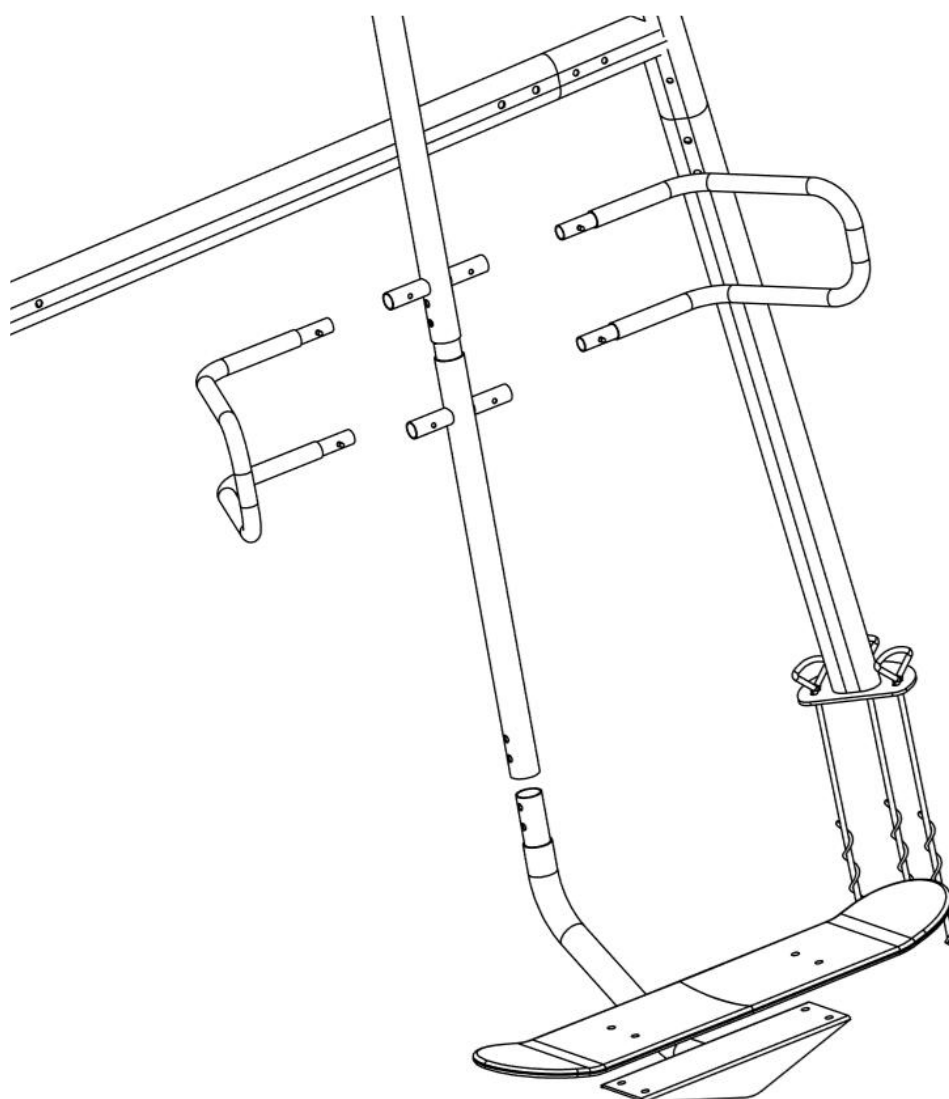
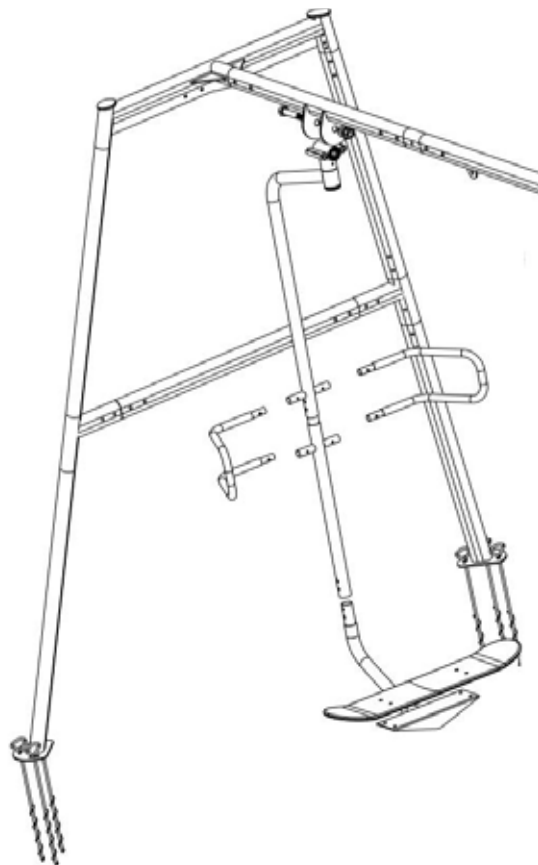
Insert the bolt and firmly secure with the nyloc nut.



STEP | 3

Insert the Lower Spin Pole into the bottom of the Upper Spin Pole, and insert the Deck Plate into the Lower Spin Pole. Lock them into place with nuts and bolts.

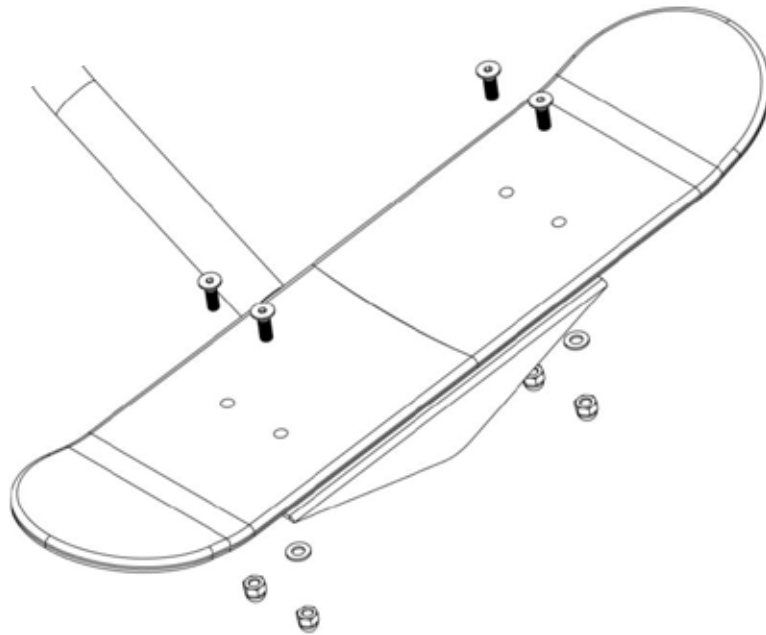
Insert the Spin Handles at the connection between the Upper and Lower Spin Bars. Ensure that the push-buttons securely lock.



STEP | 4

Position the Deck onto the Deck Plate, ensuring that the holes on both line up.

Insert the four Deck Bolts through the top holes of the Deck, and secure them by tightening the nuts underneath.



CONGRATULATIONS!

You have attached the Spin Swing to your Vuly Max!



vulyplay.com