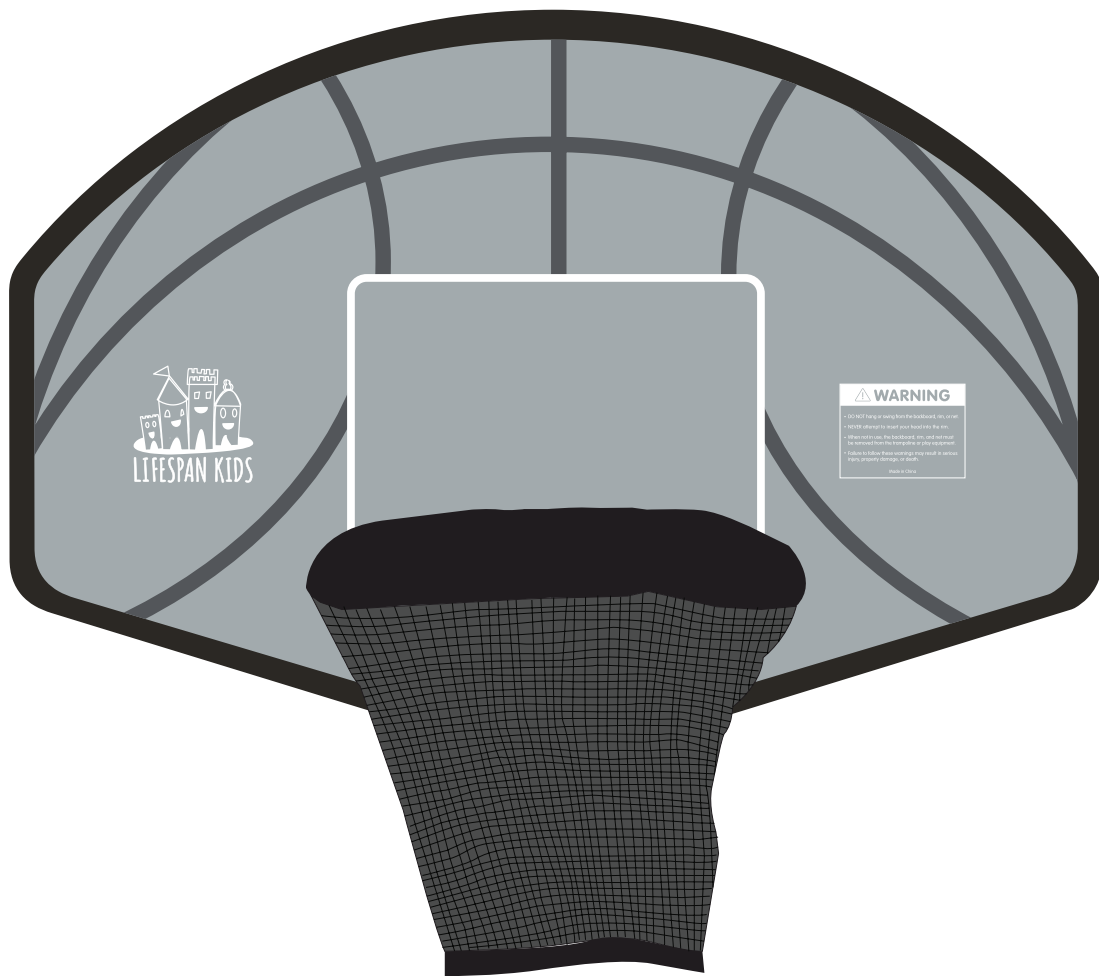


USER MANUAL

Swish Basketball Ring



WARNING: The disassembled product may contain small parts which pose a choking hazard to children under 3.

IMPORTANT:

The owner's manual contains safety, assembly, use and maintenance instructions. This product must be assembled by an adult who has read and understood these instructions. Keep the packaging away from children and dispose of all packaging before use.

For the installer and your children's safety, it is important to fully read and understand the instructions and safety hazards before commencing the assembly of the product.

TABLE OF CONTENTS

| | |
|---------------------------------------|----|
| I. GENERAL SAFETY INSTRUCTIONS | 3 |
| 1.1 Danger for Children | 3 |
| 1.2 Risk of Injuries | 3 |
| 1.3 Risk of Injuries | 3 |
| 1.4 Assembly Advice | 4 |
| II. SAFETY INSTRUCTIONS | 5 |
| III. ASSEMBLY INSTRUCTIONS | 6 |
| 2.1 Tools | 7 |
| 2.2 Parts List | 8 |
| IV. INSTALLATION | |
| 3.1 Step 1 | 9 |
| 3.2 Step 2 | 9 |
| 3.3 Step 3 | 10 |
| 3.4 Step 4 | 10 |
| V. WARRANTY | 11 |

I. GENERAL SAFETY INSTRUCTIONS

NOTE: This product is intended for indoor and outdoor domestic use only.

1.1 DANGER FOR CHILDREN



WARNING: No eating while using the product at the same time.

- Children do not recognize potential dangers from this product. The unassembled product must be stored out of reach of children and pets.
- This product may only be used with adult supervision at all times.
- The packaging material is not suitable for children due to choking and suffocation hazards.

1.2 RISK OF INJURIES

- Do not use the product if it is damaged or defective. If it is damaged or defective, please contact a qualified technician.
- Check the product before each use. Defective parts must be changed immediately as they can impair the function and the safety of the product.
- No more than one person to use the product at the same time.
- Use the product only on even and non-slipping surfaces. Never use it near water and keep sufficient space around for safety.
- Beware of moving parts such as the springs or elastics, which could catch your arms and legs. Do not place any objects or body parts in the product's openings.

1.2 PRODUCT DAMAGE

- Do not make alterations to the product. Only use original spare parts. Qualified technicians should only carry out repairs – improper repairs can lead to danger for the user. Use this product only as described in this manual.

1.4 ASSEMBLY ADVICE

- The assembly of the product must be done carefully and by an able-bodied adult. If in any doubt, ask a technically qualified person.
- Before you start with the assembly, read the instructions carefully.
- Remove all packaging materials and lay down all parts on an open space. This gives you an overview and simplifies the assembly procedure.
- Check with the parts list that all parts are available. Dispose of the packaging material when the assembly is completed.
- Beware that when using tools or doing technical work, there is always a risk of injuries. Assemble the product with care.
- Create a danger free environment; for example, do not let tools lay around the workspace. Store the packaging material in a way that cannot cause any danger.
- After installing the product according to the instruction manual, ensure all screws, bolts and nuts are correctly installed and tightened and that all joints are secure.
- Reasonable space must be kept between the product and possible sources of danger, such as other equipment swimming pools and fences.
- The assembly of the product must be done carefully and by an able-bodied adult. If in any doubt, ask a technically qualified person.
- The product must be assembled correctly before use.
- Your play structure must be installed on a flat horizontal surface with a minimum of 2m between it and any structure or obstacle such as a fence, garage house, tree branches, cloths lines, or electric cables.
- Modifications made to the original product shall be carried out according to the instructions of the manufacturer.
- The product must always be used in a well-lit area.
- Do not place anything under the product.
- Use gloves during assembly and disassembly.
- Outdoor products should be equipped with a device that in strong wind conditions avoid displacement due to wind (e.g. steel bars in the ground or loads like sand bag or water bags).
- In certain areas during winter, snow buildup and the low temperatures can damage the product. It is recommended to remove snow buildup and to store the product indoor.
- We strongly recommend visual inspections every 3 months to insure the integrity of the entire product. Replace any parts as necessary.

II. SAFETY INSTRUCTIONS

NOTE: Compatibility cannot be guaranteed with other brand trampolines.

It is the responsibility of the owner to become familiar with the safety rules and to convey these rules to all users.

- Read and follow all of the warnings and use instructions for your trampoline and safety enclosure.
- Read and follow all rules specified on the warning labels that came with your trampoline safety enclosure and basketball set. If labels or signs become lost or unreadable please replace.
- The Swish Basketball Ring should be used only as described in this manual. The basketball set must only be mounted to a compatible safety enclosure system. It should never be mounted on any other device in any manner not described in this manual. Do not attach anything to the basketball set or safety enclosure that is not a manufacturer-approved accessory or part of the enclosure system.
- Do not allow more than one person on the trampoline. Do not allow more than one person inside the trampoline enclosure. Use by more than one person at the same time can result in serious injury. This includes "one-on-one" type games and any other games or activities where more than one person is on the trampoline at the same time.
- Do not hang from, kick or climb on any part of the basketball set or safety enclosure.
- Remove all jewellery watches and hair clips before using the basketball set.
- Wear clothing free of drawstrings hooks loops or anything that could get caught in the basketball set or safety enclosure.
- Do not use the trampoline or basketball set while under the influence of alcohol or drugs.
- Do not install the basketball set on a pole that is near or over a missing or damaged frame pad.
- When not in use store the basketball provided with your set in a dry location.
- Use the trampoline and basketball set only with mature, knowledgeable supervision.
- Do not hang on the hoop. While the Swish Basketball Set is designed to withstand rigorous use the hoop is not designed to be hung on. Hanging on the hoop can damage the enclosure pole and trampoline to which the basketball set is installed. Damage resulting from hanging on the hoop is not covered by warranty.

OVERHEAD CLEARANCE Adequate overhead clearance is essential. A minimum of 24 feet from ground level is recommended. Provide clearance for wires, tree limbs and other possible hazards.

LATERAL CLEARANCE Lateral clearance is essential. Place the basketball set away from walls, structures, fences, and other play areas. Maintain a clear space on all sides of the trampoline and trampoline enclosure.

LEVEL SURFACE Place the trampoline and trampoline enclosure on a level surface before installing and using the basketball set.

LIGHTING Use the basketball set in a well-lighted area. Artificial illumination may be required for indoor or shady areas.

SECURITY Secure the trampoline and trampoline enclosure against unauthorized and unsupervised use.

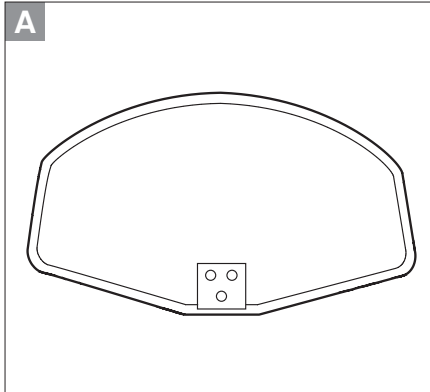
UNDERNEATH CLEARANCE Remove any obstructions from beneath the trampoline and trampoline enclosure.

NOTE: The trampoline enclosure is only to be used as an enclosure for a trampoline and the trampoline must be of the appropriate size as covered by the specific enclosure

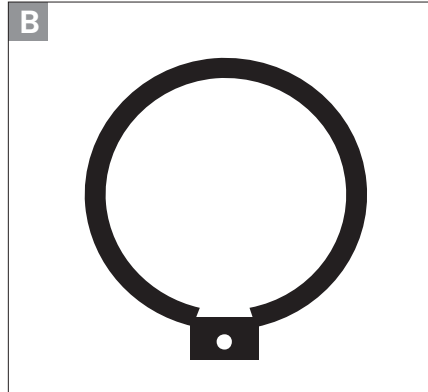
The owner and of the trampoline are responsible to make all users aware of practices specified in the instructions. Do not install the basketball set on a pole with damaged pads.

III. ASSEMBLY INSTRUCTIONS

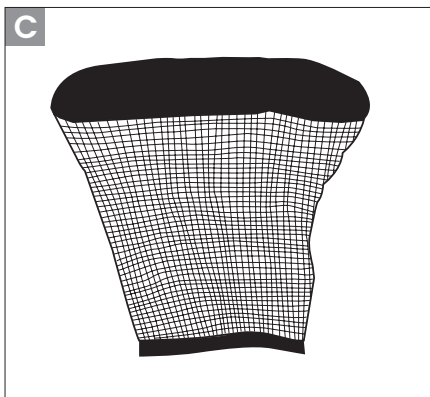
PACK CONTENTS



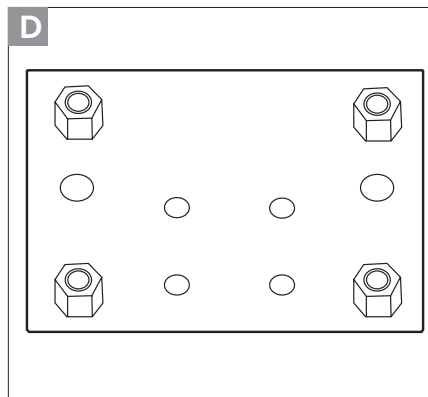
Backboard
x 1



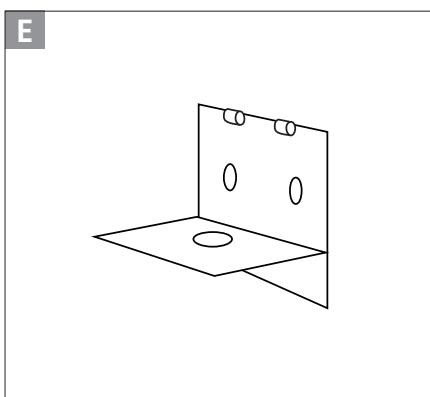
Ring
x 1



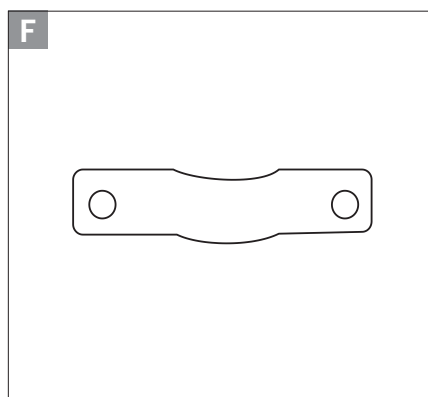
Net
x 1



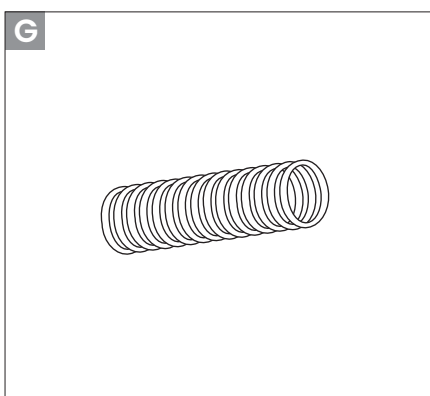
Flat Plate
x 2



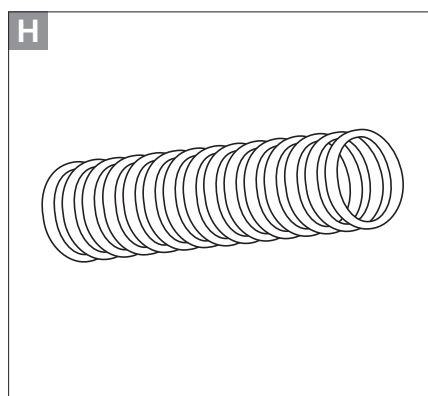
Connection Plate
x 1



Clamp
x 1



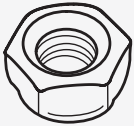
Short
x 1



Long
x 1

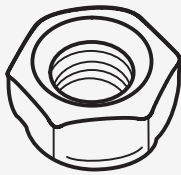
FITTINGS

L-1



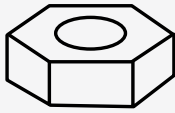
M6 x 3

L-2



M8 x 5

L-3



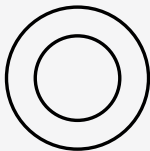
M5 x 1

M-1



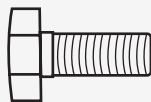
M6 x 6

M-2



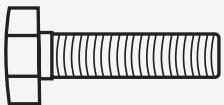
M8 x 7

1 x 2



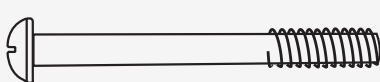
M8 x 12mm

2 x 3



M6 x 36mm

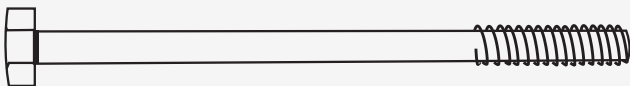
3 x 1



M5 x 75mm

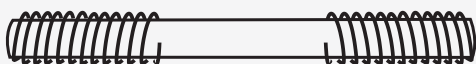
4 x 1

M8 x 100mm



5 x 4

M8 x 40mm



PREPARATION

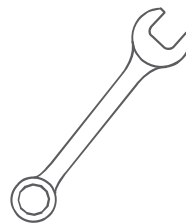
Remove all parts and hardware from the carton and place them on a clean soft surface. Check carefully to make sure nothing is missing. Dispose of all packaging material properly.

Please recycle.

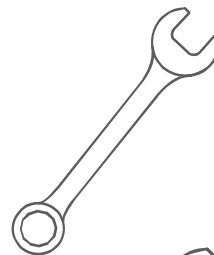
THE FOLLOWING ITEMS ARE REQUIRED FOR ASSEMBLY (NOT INCLUDED)

Two adjustable wrenches; or wrenches or sockets in the following sizes: 10mm, 13mm and 17mm

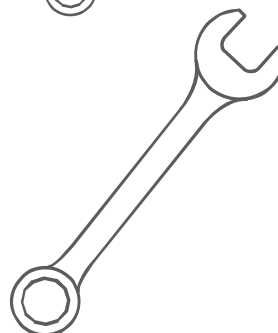
TOOL



10mm



13mm

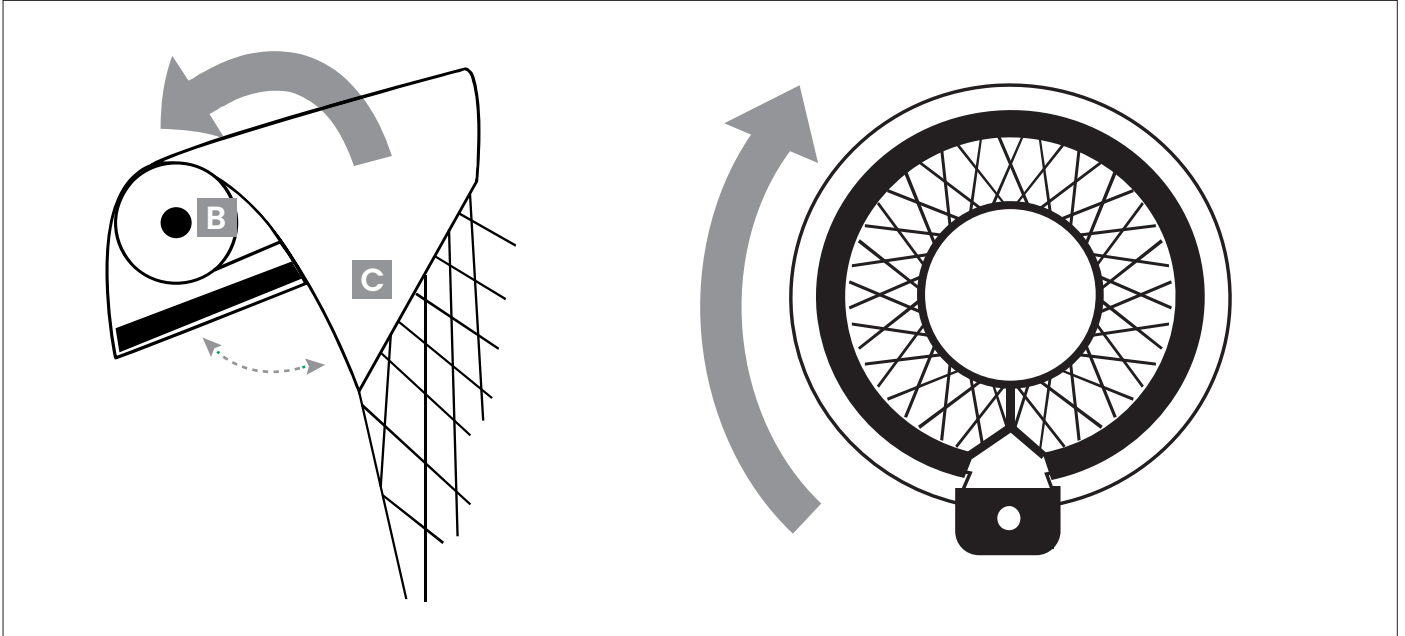


17mm

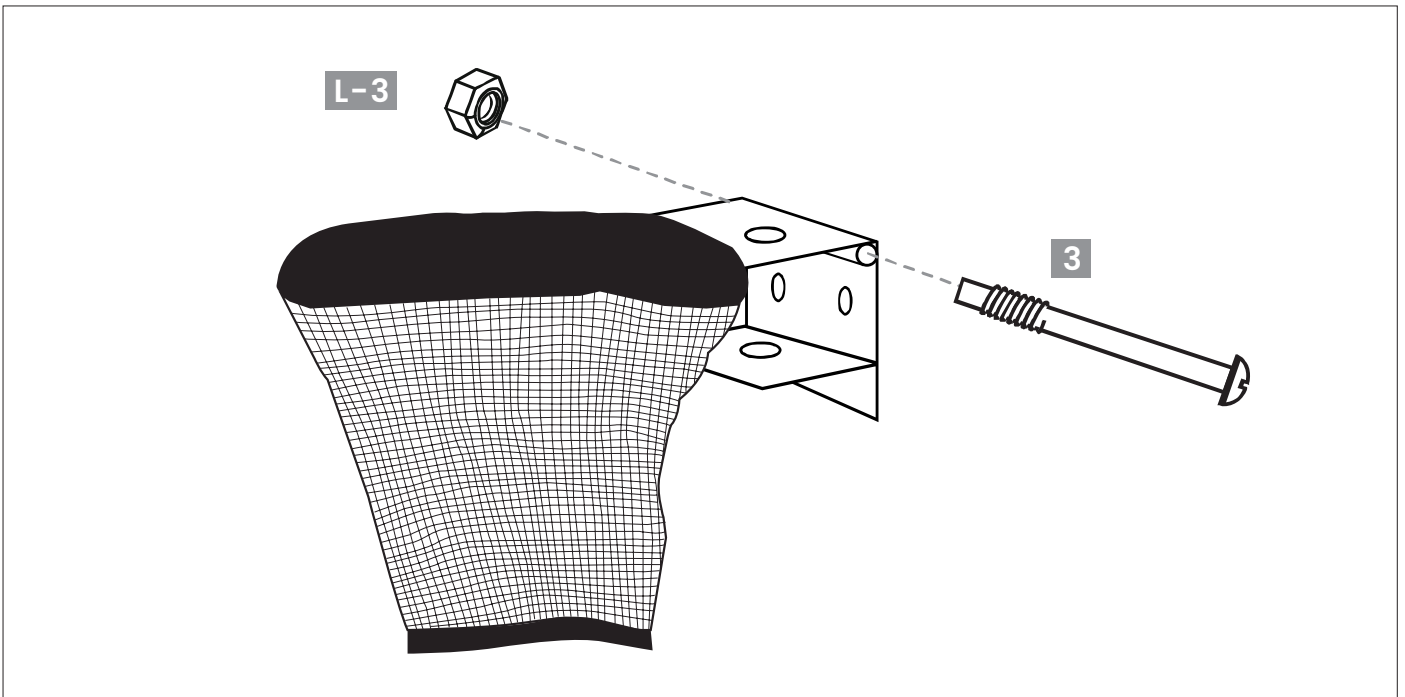
IV. INSTALLATION

NOTE: Some components may have been pre-assembled.

STEP 1 Attach the net on the loop as the picture showing.

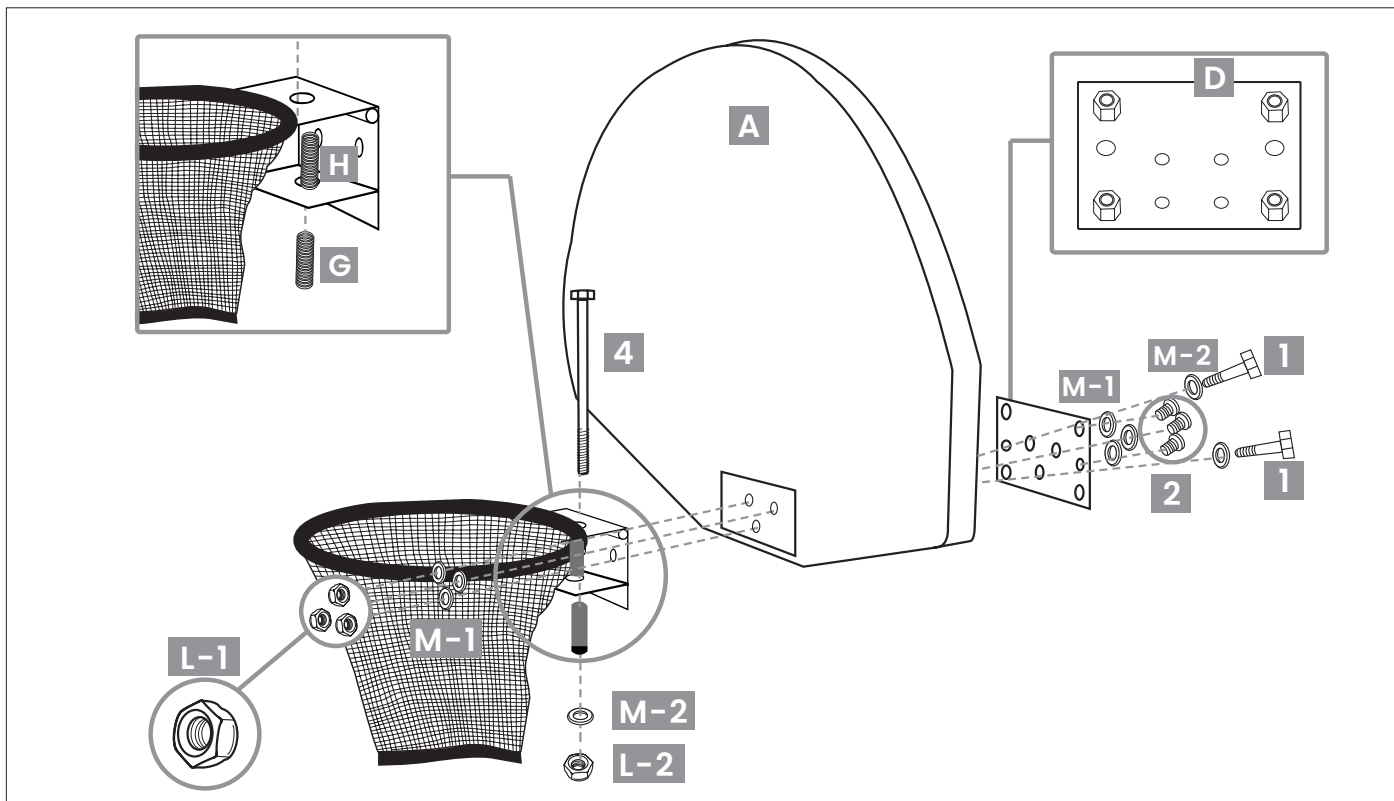


STEP 2 Connect the ring **B** with connection plate **E** using bolt **3** through the joint and locked with **L-3**.



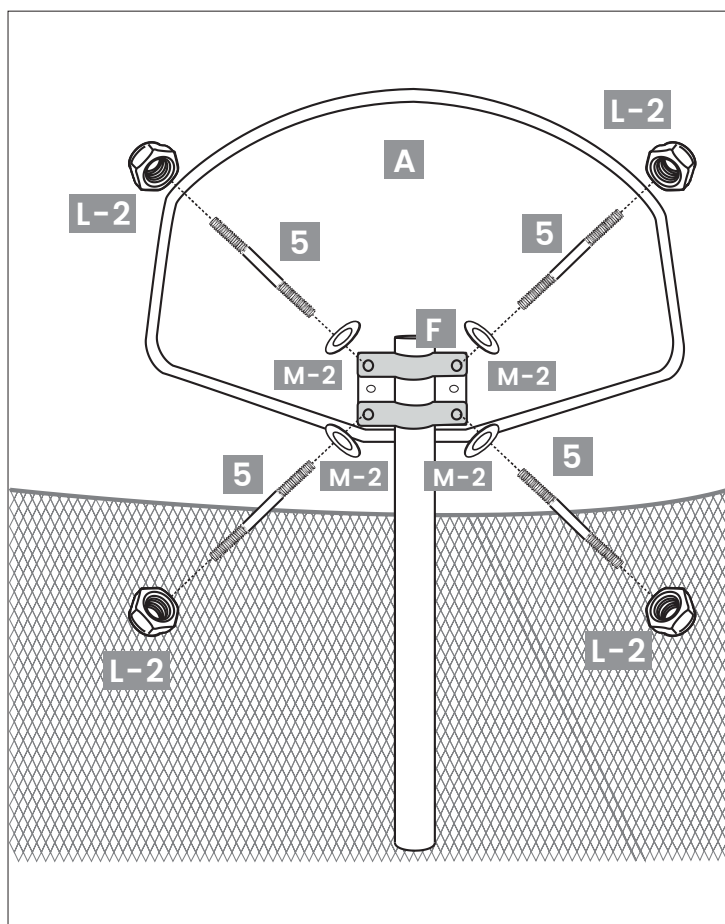
NOTE: Ensure the bracket is fitted the right way up (larger section down) to allow the hoop to swing upwards against the backboard.

STEP 3 Attach the flat plate **D** on the backside of backboard **A** locked by using two bolts **1** and two washers **M-2** then to attach the ring **B** on the front of backboard at the joint by using three nuts **L-1** through six washers **M-1** and three **2** . Then to fit the spring on the connection plate as the figure shows.



STEP 4

Attach the whole basketball set onto the ideal safety poles of your trampoline, lock it with two clamps **F** by using four bolts **5** through four washers **M-2** and four nuts **L-2** .



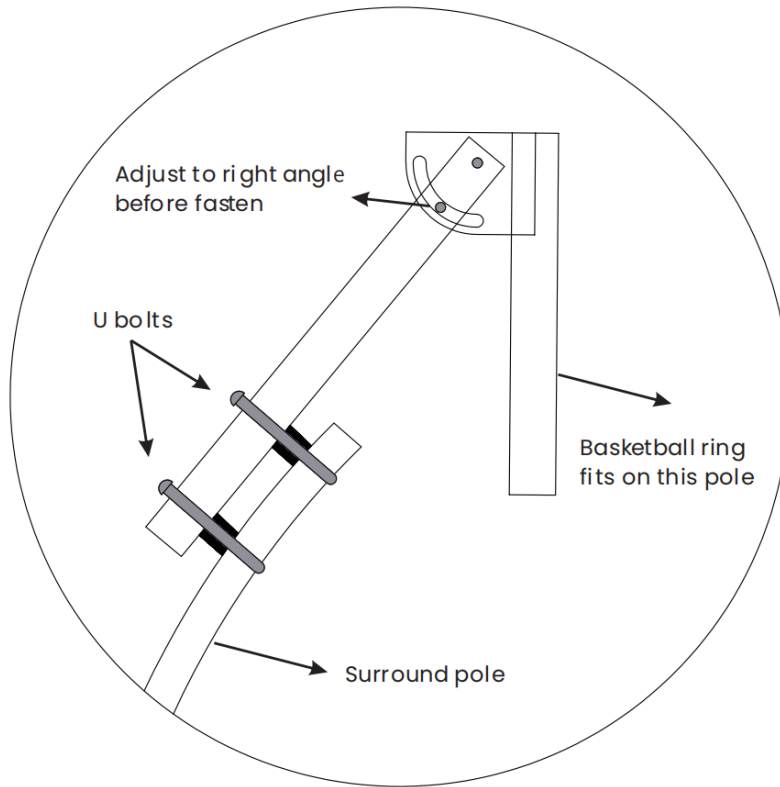
NOTE: Ensure the bracket is fitted the right way up (larger section down) to allow the hoop to swing upwards against the backboard.

STEP 4

BR 5 Adjustable Basketball Ring Bracket - HJ Series Trampoline Assembly and Installation Instruction

NOTE: This part is used for fitting basketball board to trampoline surround pole. This is a pre-assembly part, please check parts before assembly, a spanner required for assembly, also safety glasses and gloves are recommended for safety

WARNING: It is not a toy, please keep away from Children, Choking Hazard.



V. WARRANTY

AUSTRALIAN CONSUMER LAW

Many of our products come with a guarantee or warranty from the manufacturer. In addition, they come with guarantees that cannot be excluded under the Australian Consumer Law. You are entitled to a replacement or refund for a major failure and compensation for any other reasonably foreseeable loss or damage.

You are entitled to have the goods repaired or replaced if the goods fail to be of acceptable quality and the failure does not amount to a major failure. Full details of your consumer rights may be found at www.consumerlaw.gov.au.

Please visit our website to view our full warranty terms and conditions:
www.lifespankids.com.au/Warranty-Policy-Kids

WARRANTY AND SUPPORT

Please email us at support@lifespankids.com.au for all warranty or support issues.

For all warranty or support related enquiries, please lodge a support ticket first by sending us an email.
support@lifespankids.com.au.

